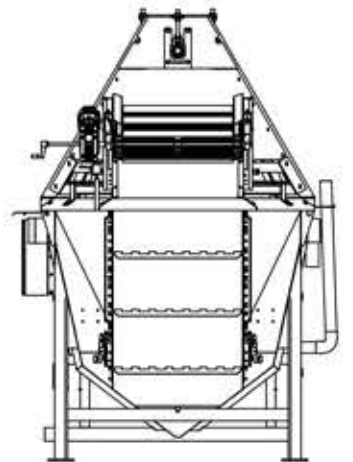
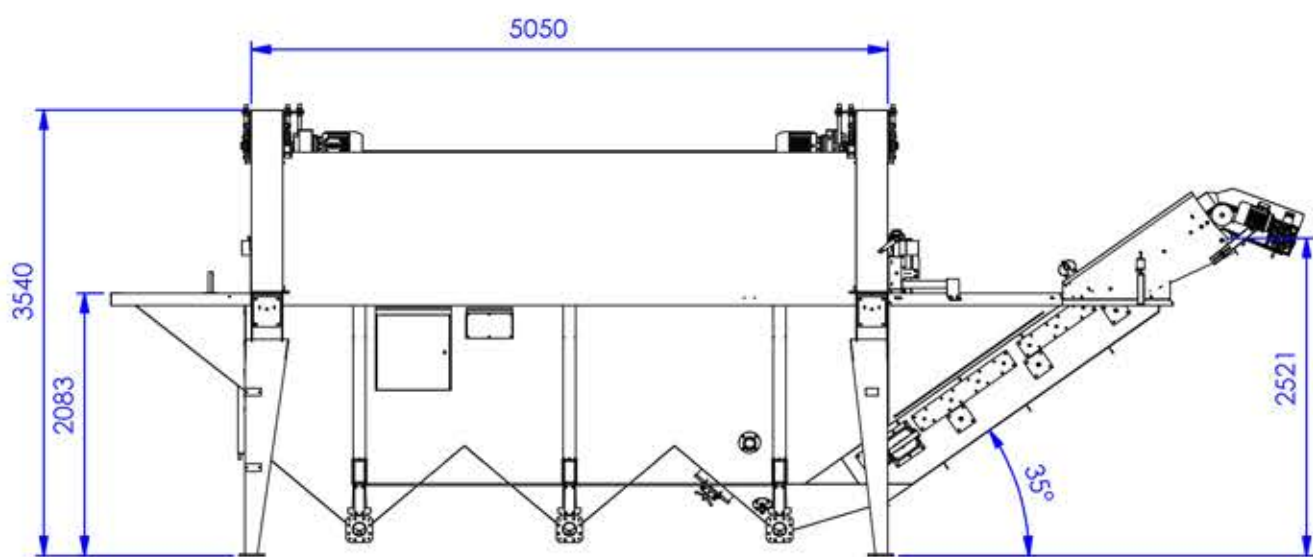
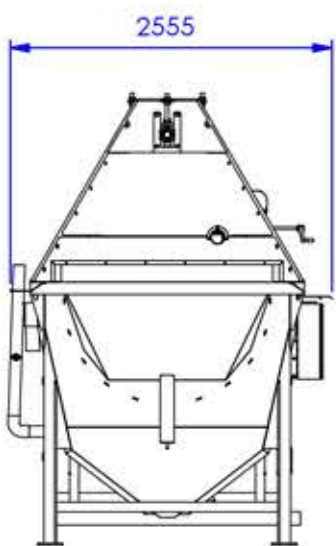
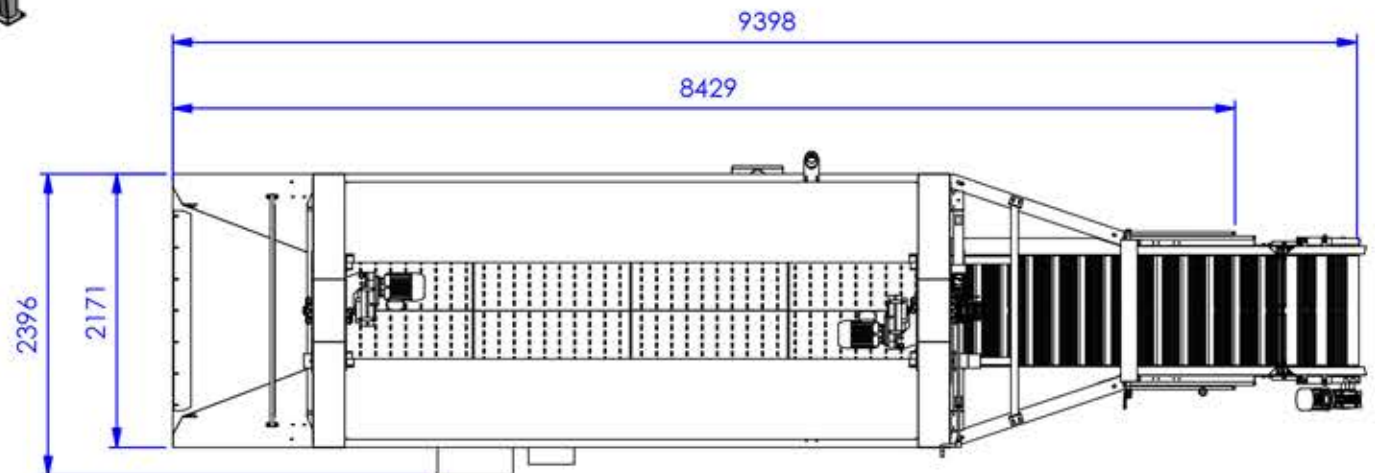
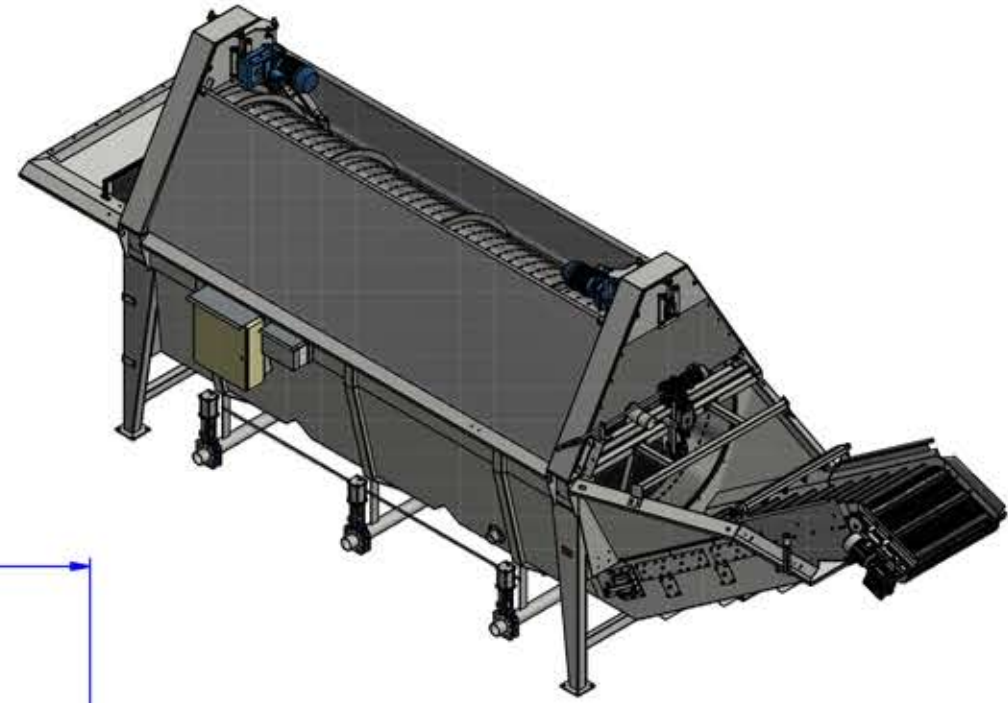
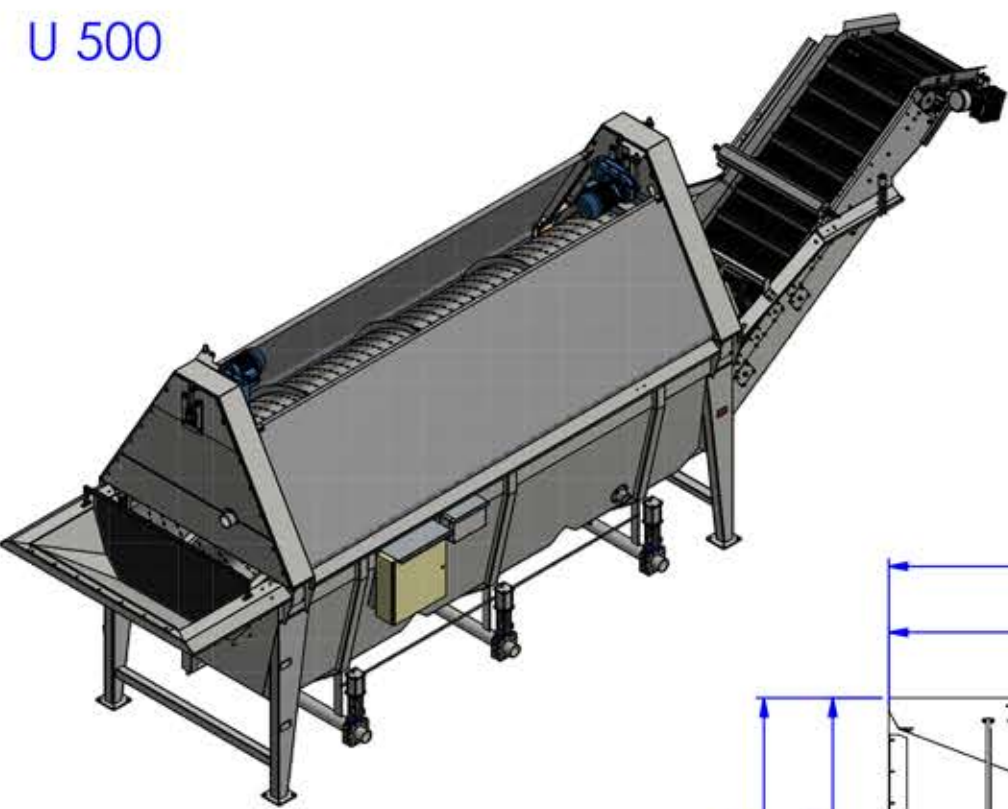


U 500



For discussion only!
 The dimensions are approximately.
 We are free to resize and change the machines,
 when we deem it necessary.

Tol principle: ISO 8015		General tolerances: ISO 20768		Fit system: ISO 286		Geometrical tolerancing: ISO 1101	
Project: Washing machine							
Description: U 500							
Surface:							
Engineer: HWS	Scale: 1 : 60	00031729				Revision: 03	
Date: 14-6-2019	Sheet size: A3					Sheet: 1 of 3	
Unit: mm							

