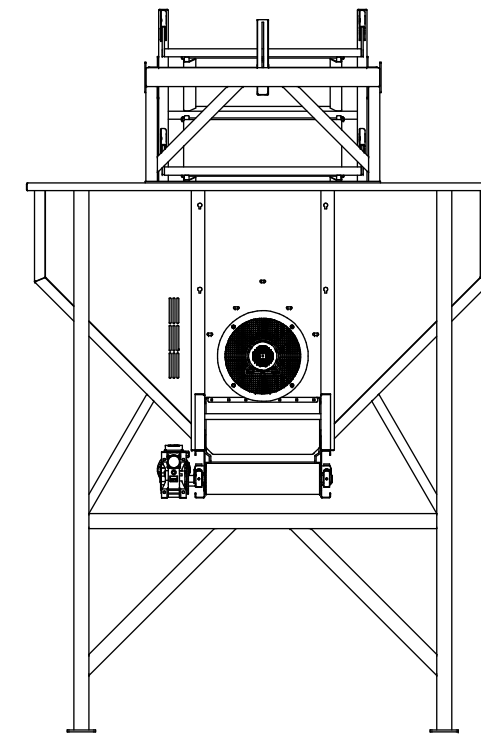
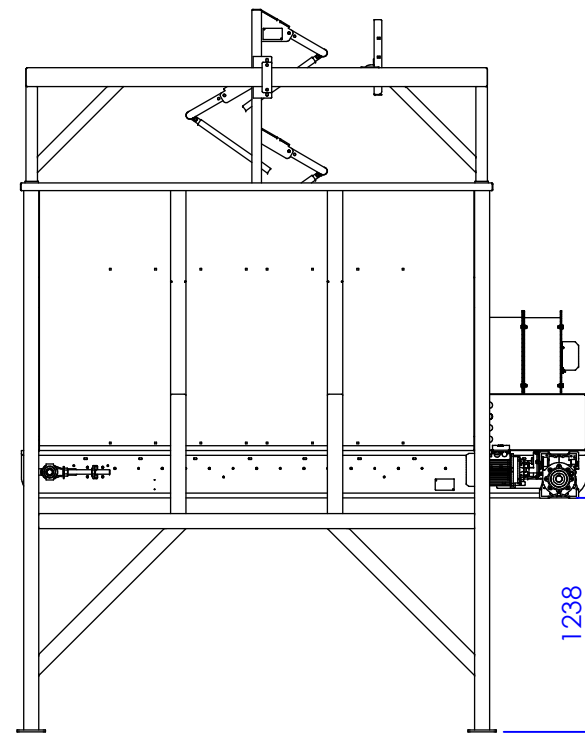
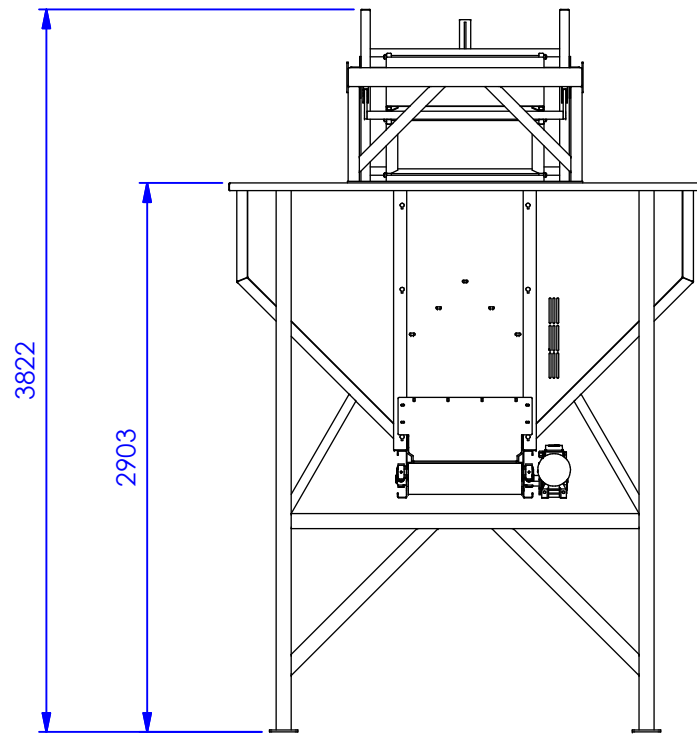
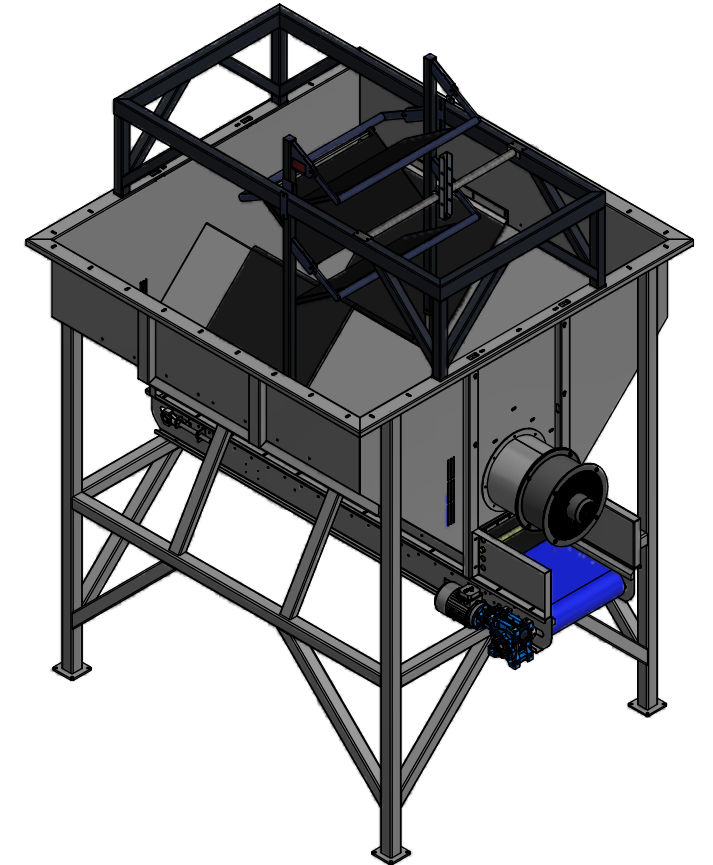
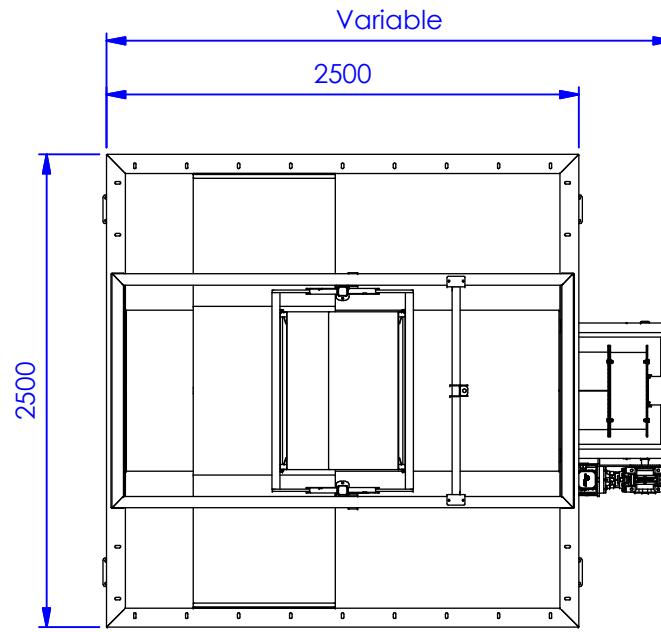
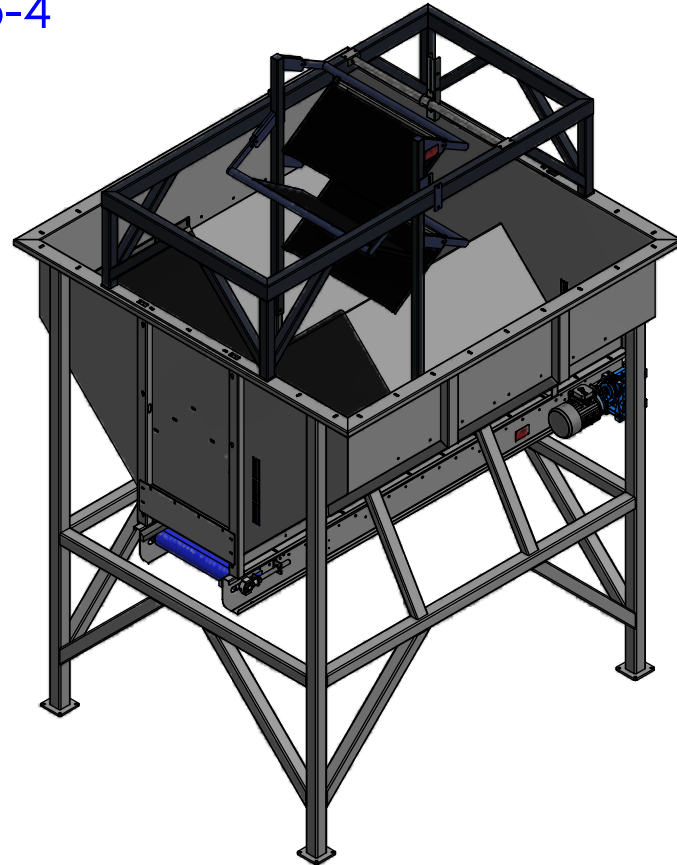



SH 25-25-4



For discussion only!
 The dimensions are approximately.
 We are free to resize and change the machines,
 when we deem it necessary.

| | | | |
|---|-------------------------------|--------------------------------|-----------------------------------|
| Tol principle: ISO 8015 | General tolerances: ISO 20768 | Fit system: ISO 286 | Geometrical tolerancing: ISO 1101 |
| Project: Storage hopper | | Description: SH 25-25-4 | |
| Surface: | | Engineer: S.Iaan | Scale: 1 : 40 |
| Date: 28-6-2019 | | Sheet size: A3 | 00003479 |
| | | Unit: mm | |
|  | | Sheet: 1 of 2 | |