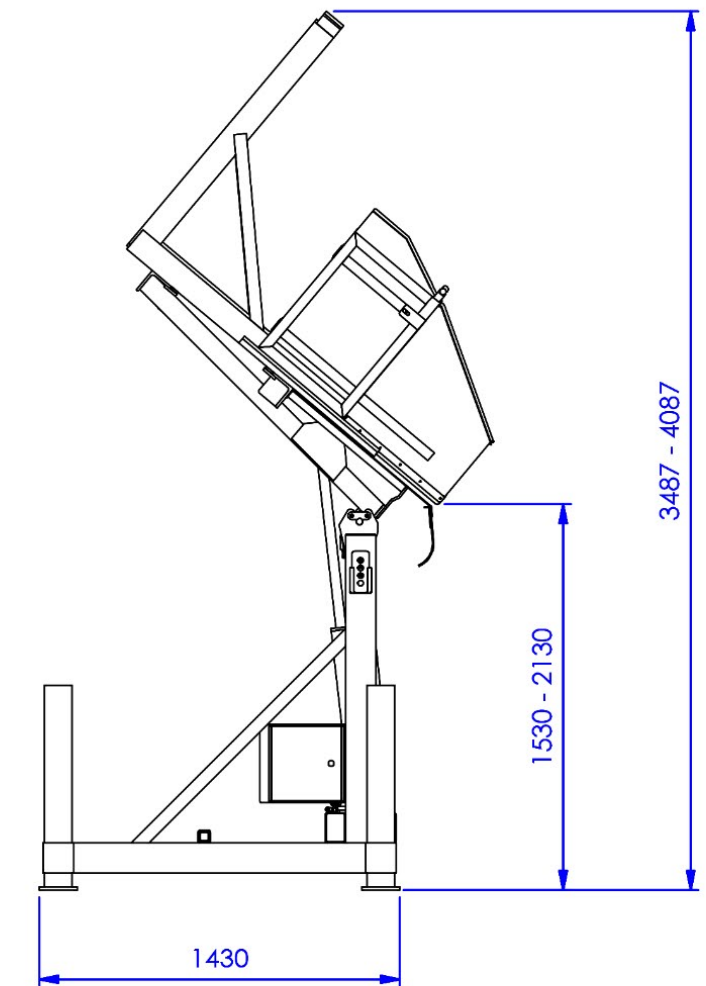
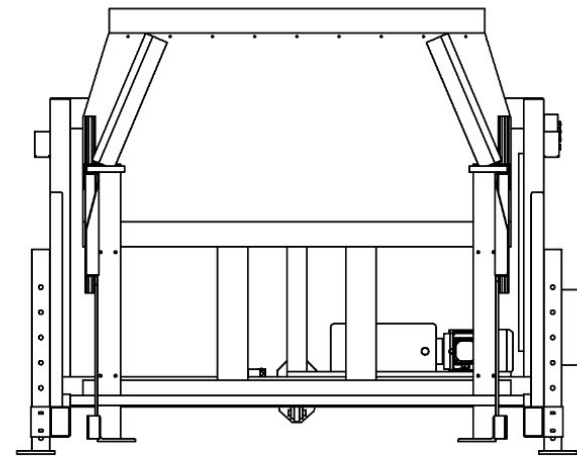
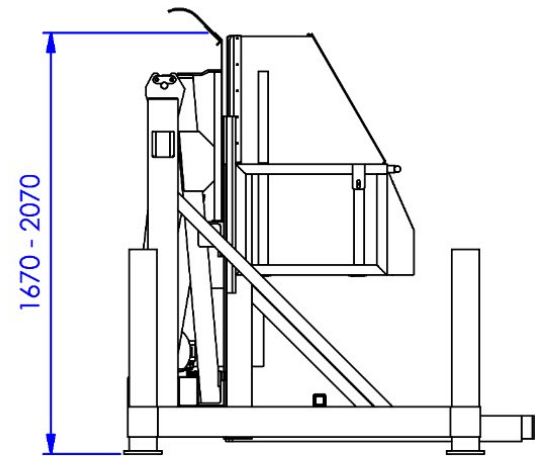
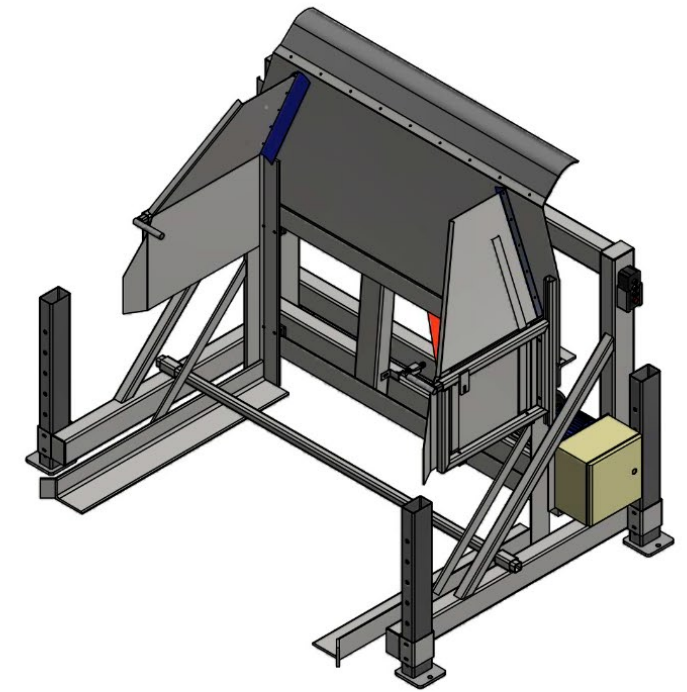
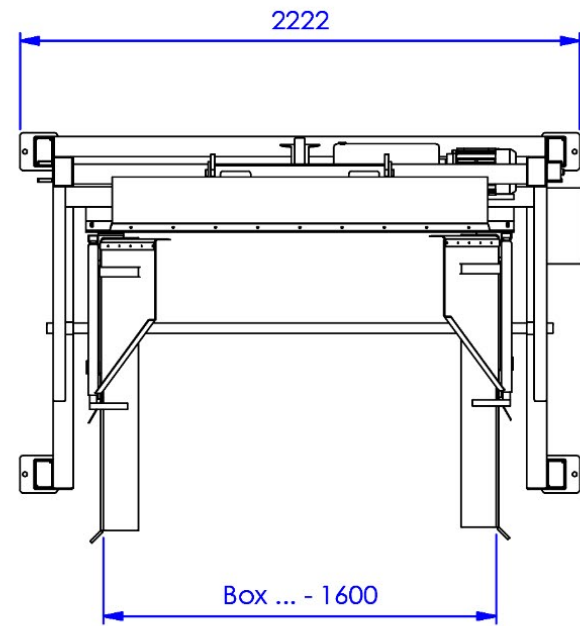
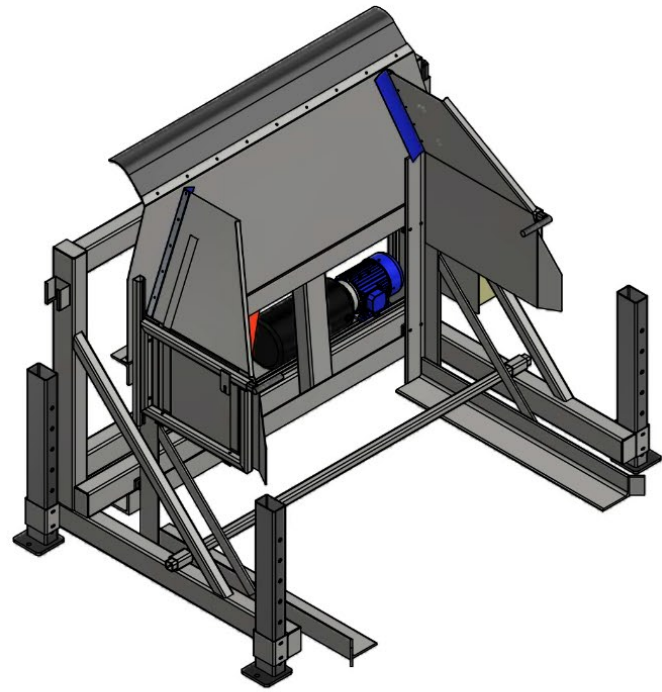


Z 160



For discussion only!
 The dimensions are approximately.
 We are free to resize and change the machines,
 when we deem it necessary.

Tol principle: ISO 8015		General tolerances: ISO 20768		Fit system: ISO 286		Geometrical tolerancing: ISO 1101	
Project:		Description: Z 160					
Surface:		Engineer: S.laan		Scale: 1:30		00001149	
Date: 18-6-2019		Sheet size: A3		Unit: mm			
Revision: 00		Sheet: 1 of 1					

