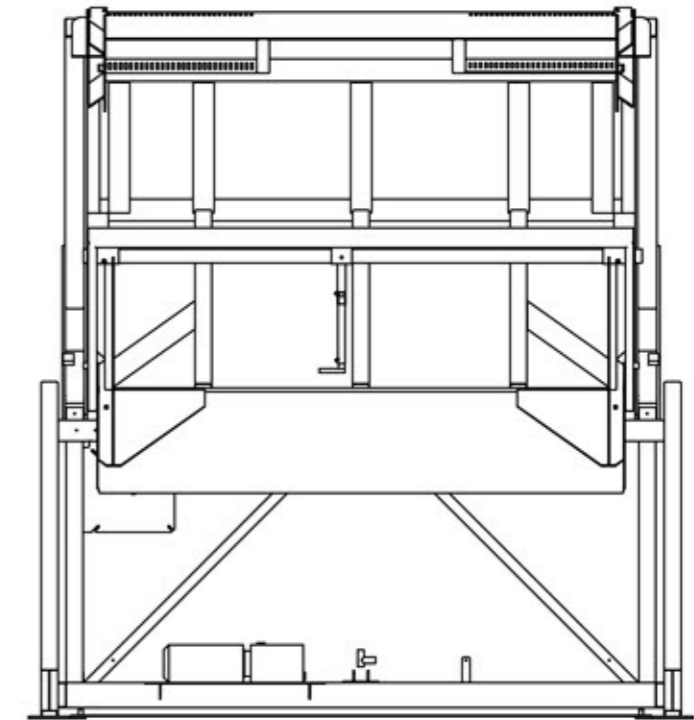
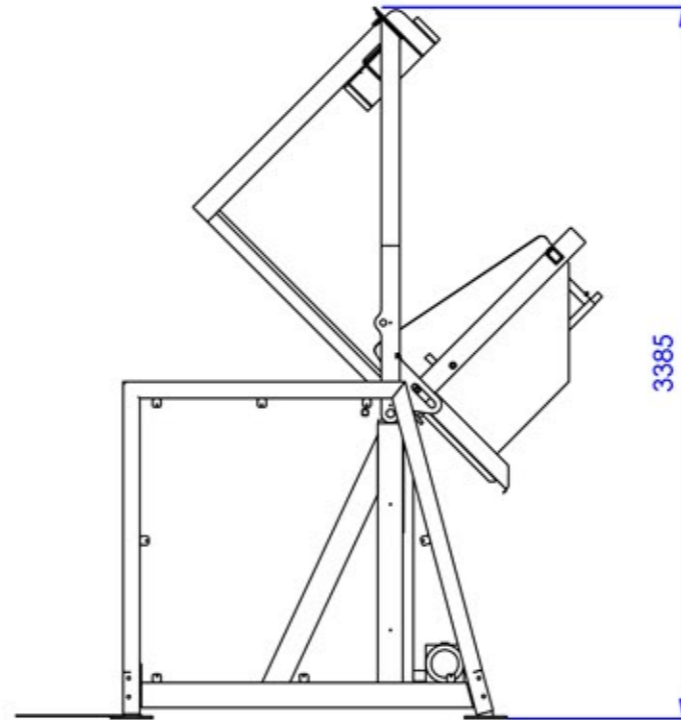
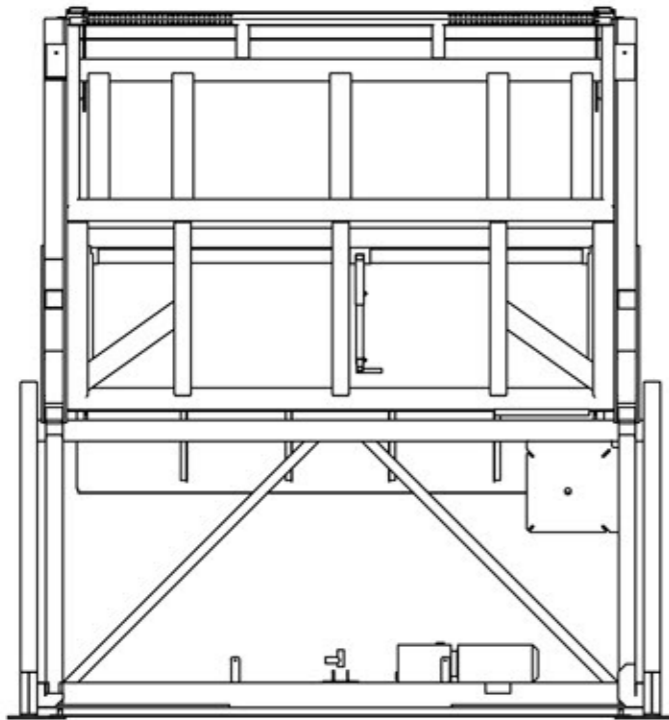
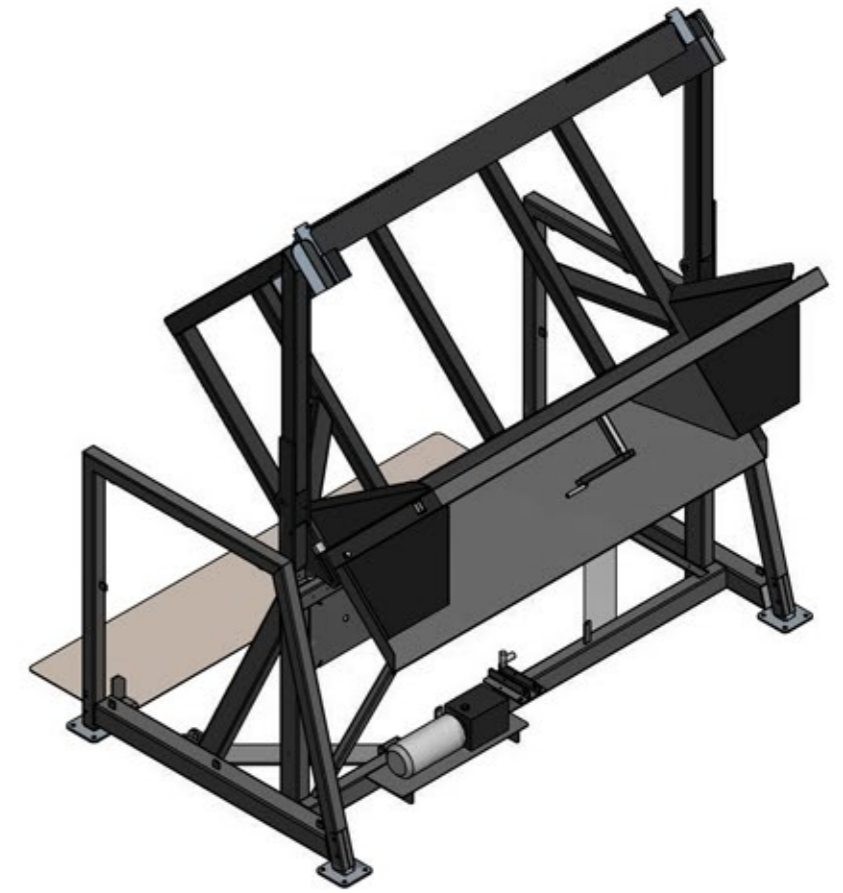
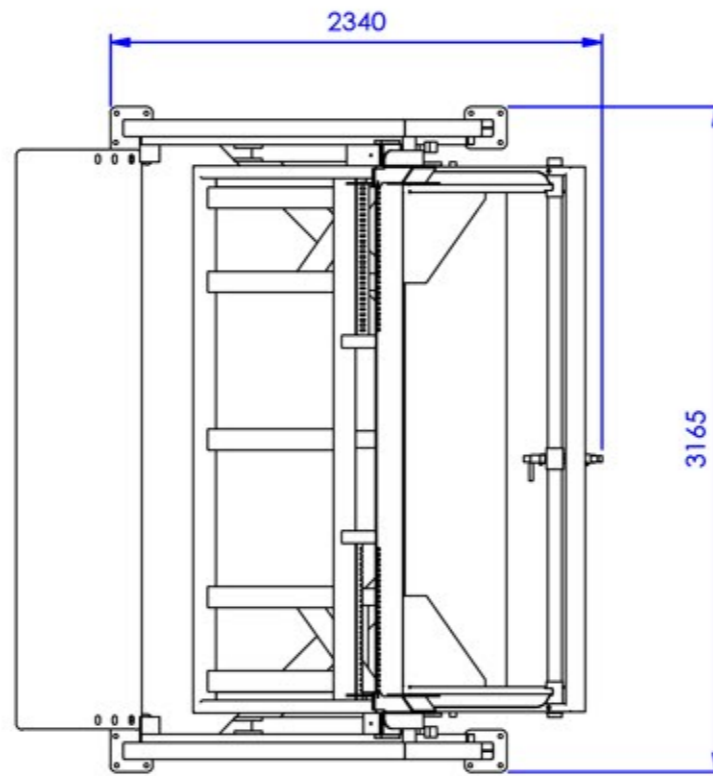
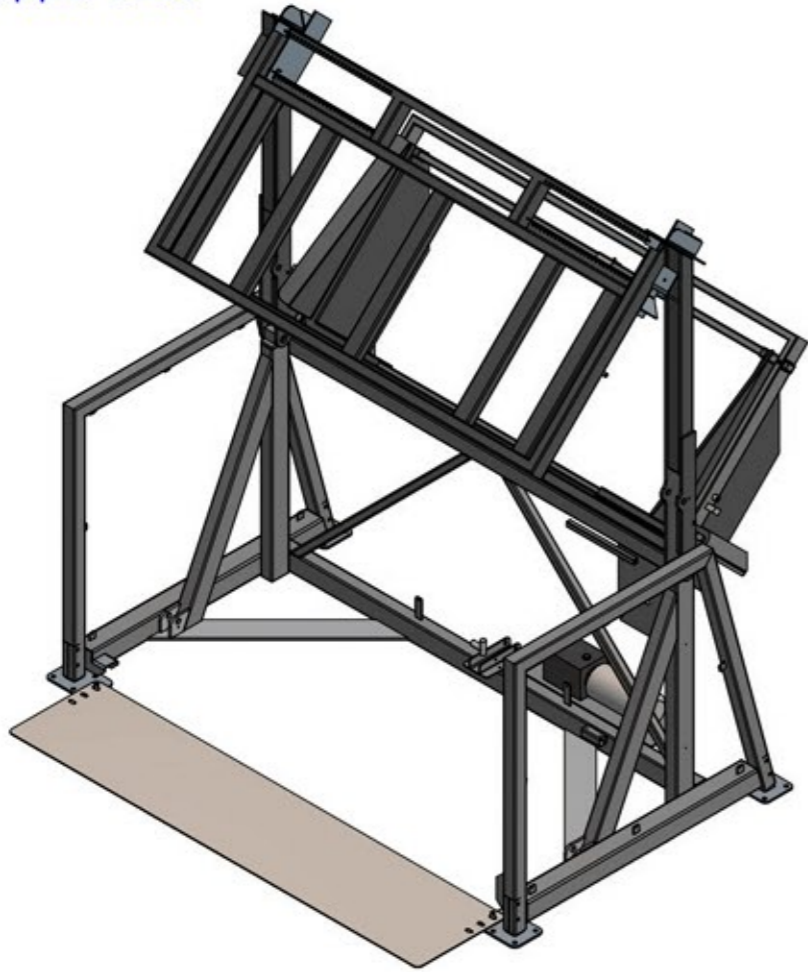


Box Tipper Z 250



Tol principe: ISO 8015	General tolerances: ISO 20768	Fit system: ISO 286	Geometrical tolerancing: ISO 1101
Project: -			
Description: <b>Z 250</b>			
Surface: - - -			
Engineer: EJCB	Scale: 1 : 36	<b>00112758</b>	Revision: 00
Date: 05-11-2020	Sheet size: A3		
Unit: mm		Sheet: 1 of 1	

