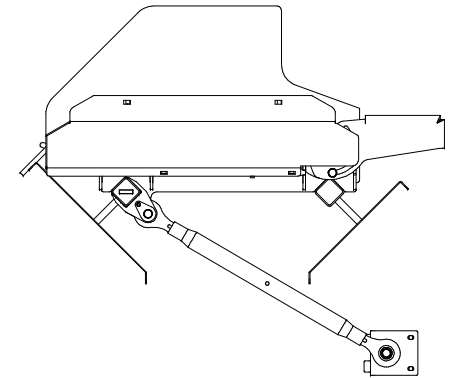
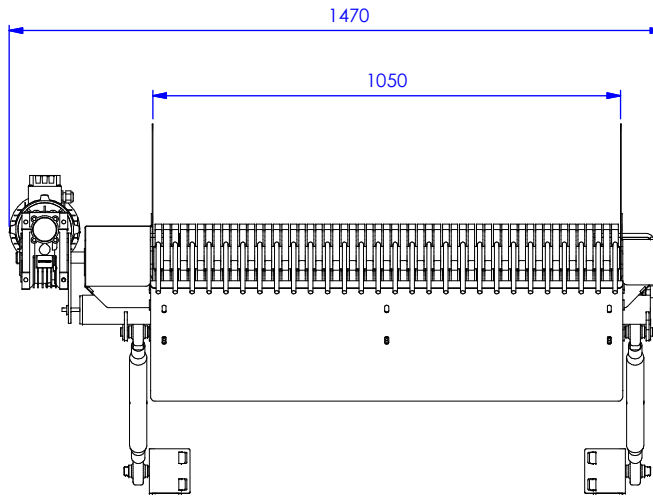
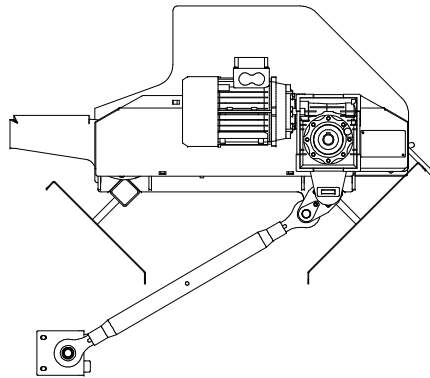
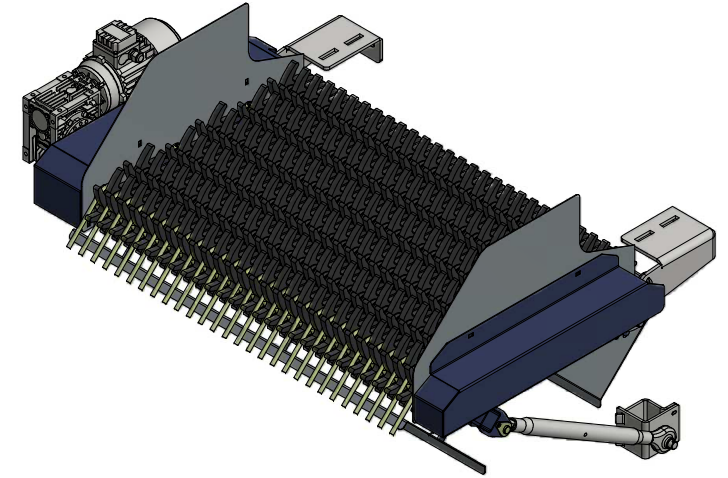
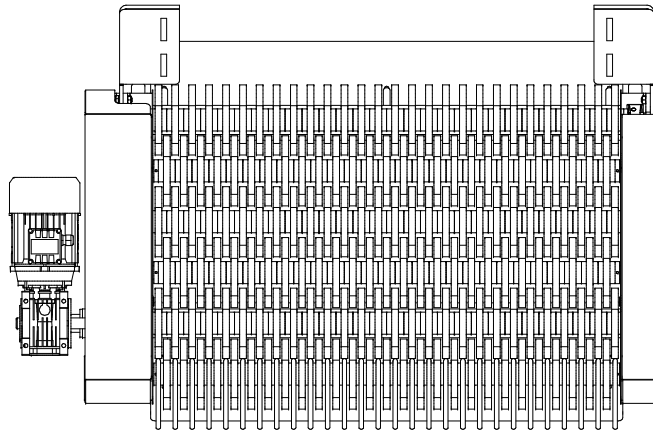
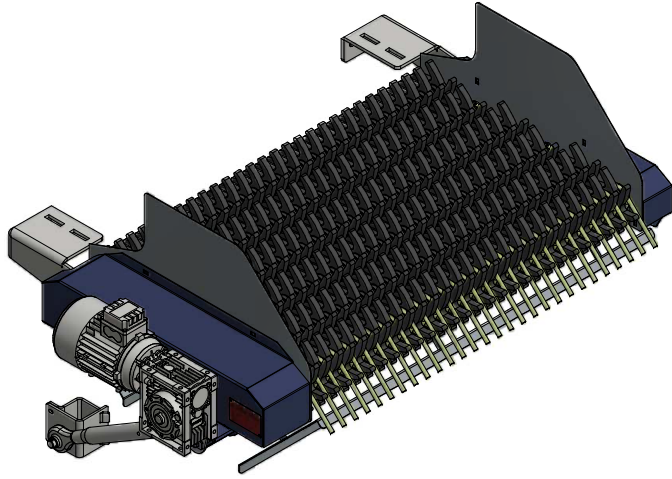


# Fixed rollerset V 100-6



Tol principle: ISO 8015		General tolerances: ISO 20768		Fit system: ISO 286		Geometrical tolerancing: ISO 1101	
Project: <b>Fixed rollerset</b>							
Description: <b>V 100-6</b>							
Surface:							
Engineer: SRPL		Scale: 1 : 12		<b>00029544</b>		Revision: 01	
Date: 10-8-2018		Sheet size: A3					
www.allround.nl		Unit: mm		Sheet: 1 of 3			