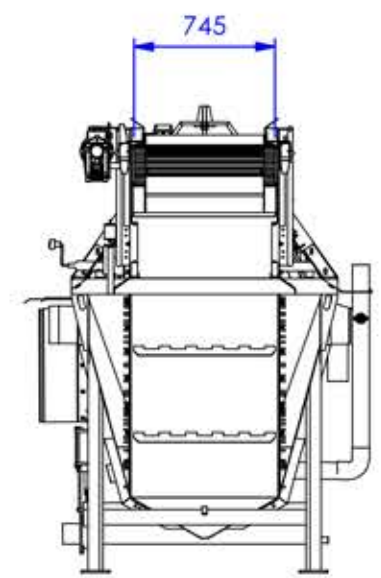
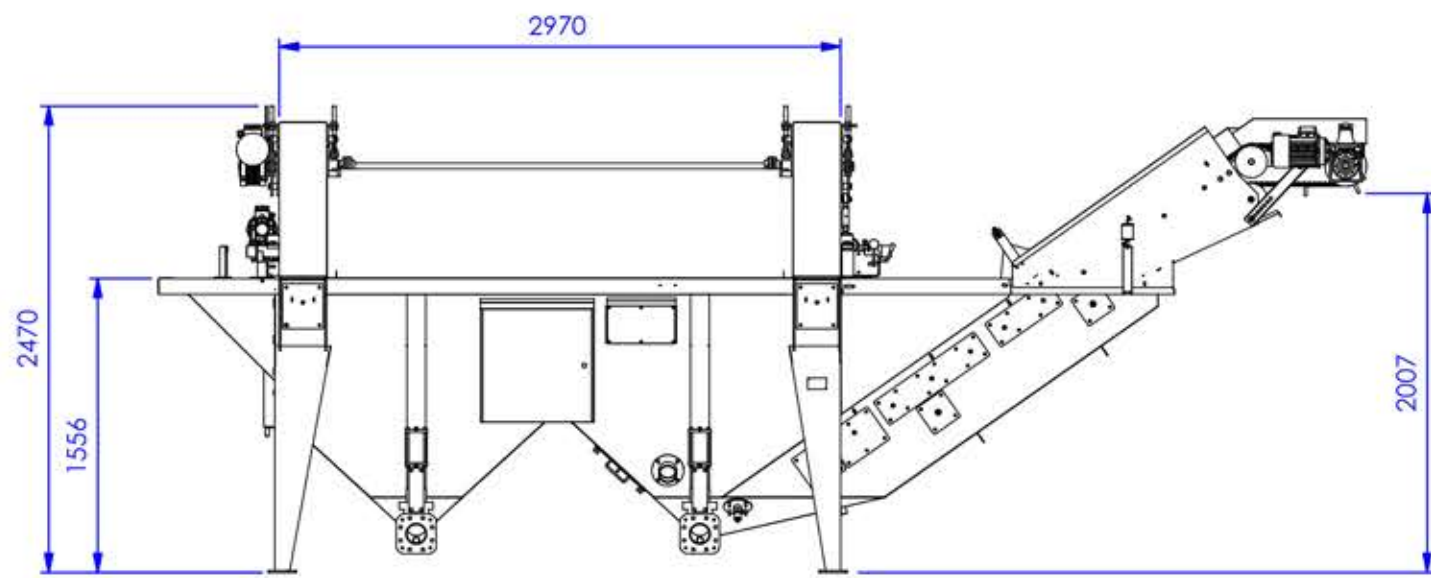
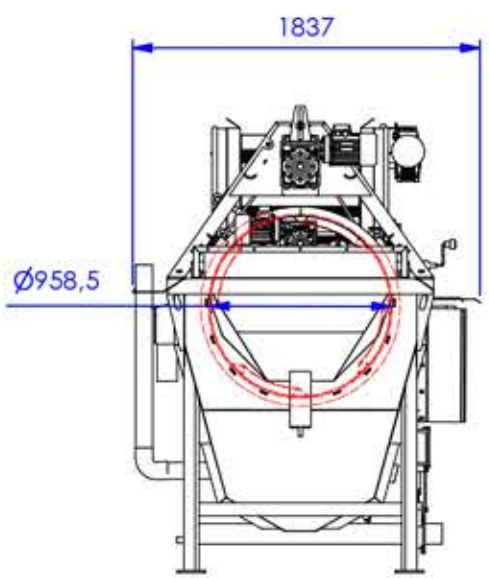
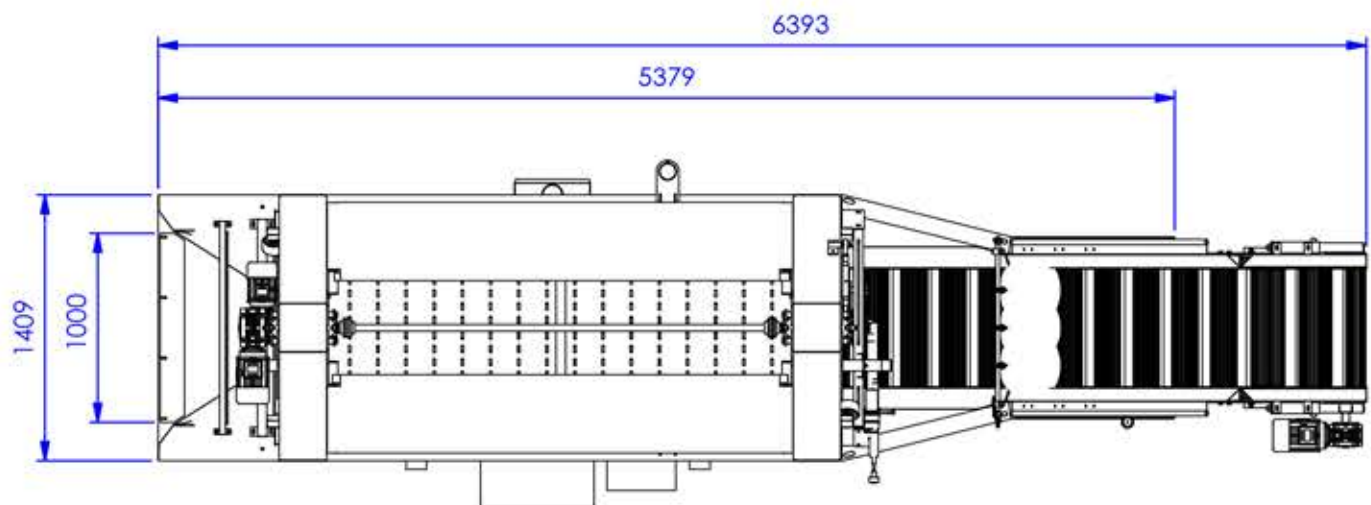
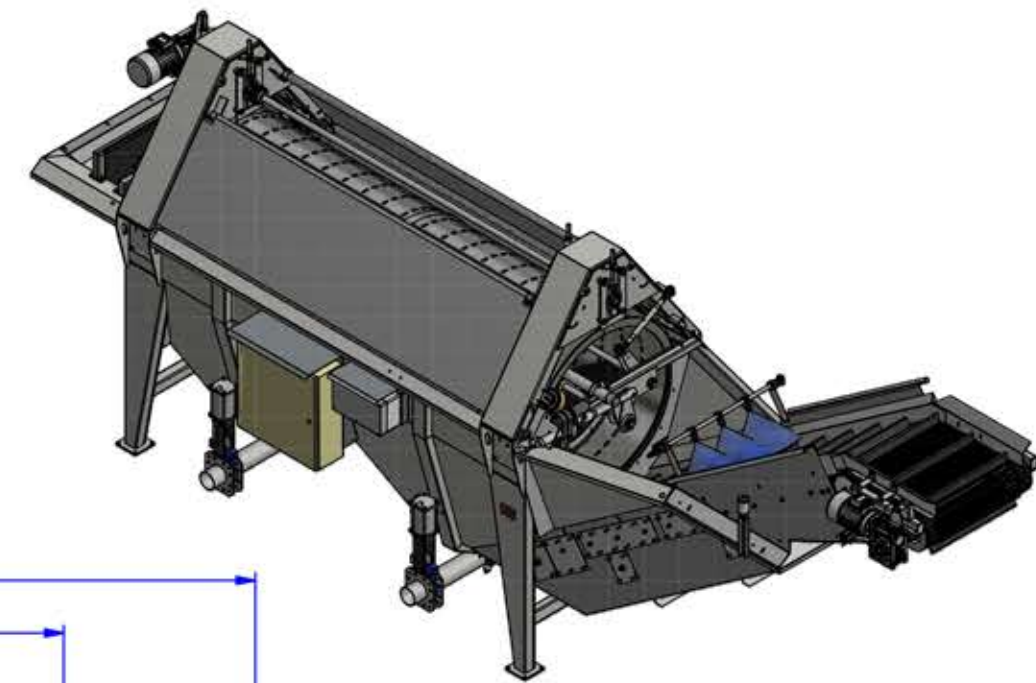
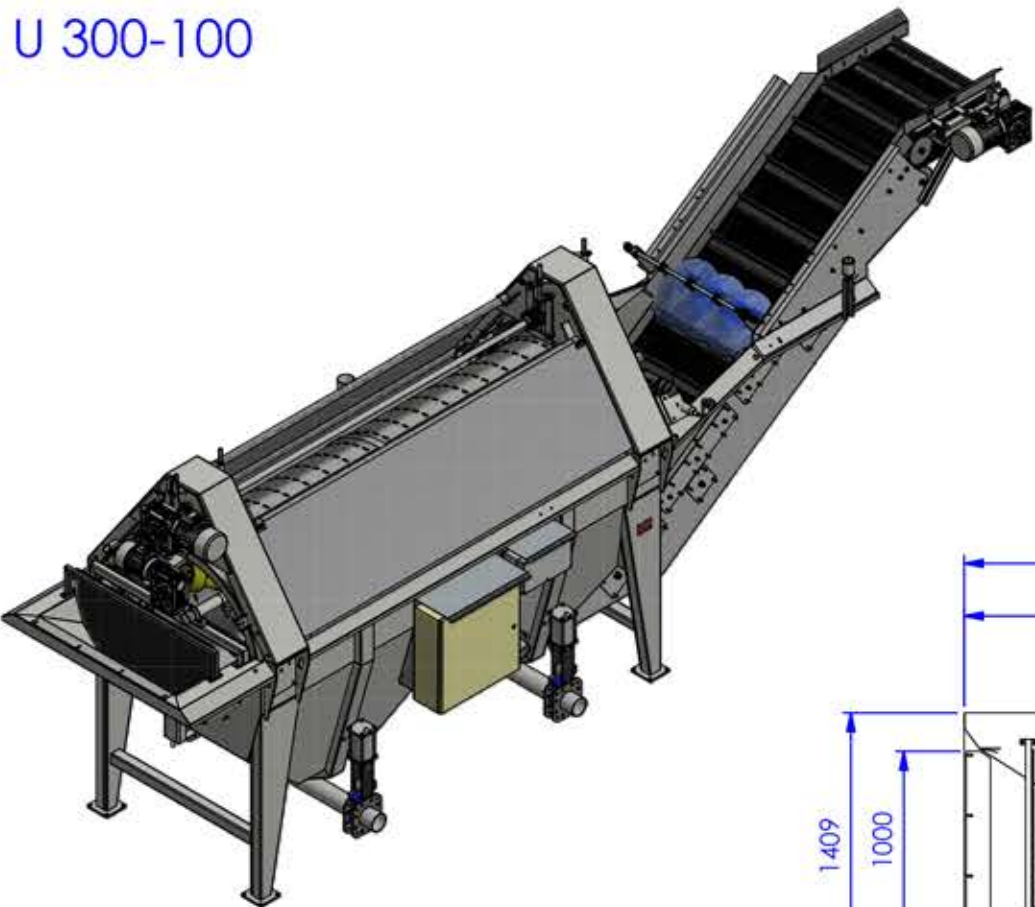


U 300-100



For discussion only!  
 The dimensions are approximately.  
 We are free to resize and change the machines,  
 when we deem it necessary.

Tol principle: ISO 8015	General tolerances: ISO 20768	Fit system: ISO 286	Geometrical tolerancing: ISO 1101
Project: <b>Washing machine</b>			
Description: <b>U 300-100</b>			
Surface:			
Engineer: SRPL	Scale: 1 : 40	<b>00034603</b>	Revision: 00
Date: 14-6-2019	Sheet size: A3		Sheet: 1 of 7
Unit: mm			

