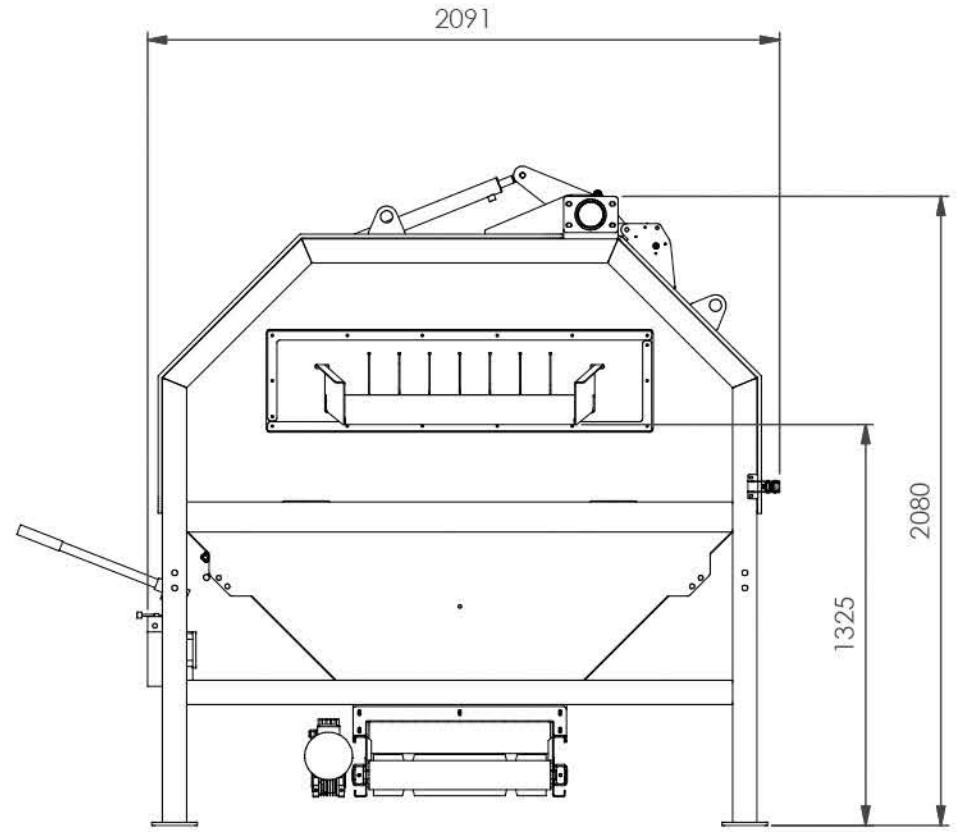
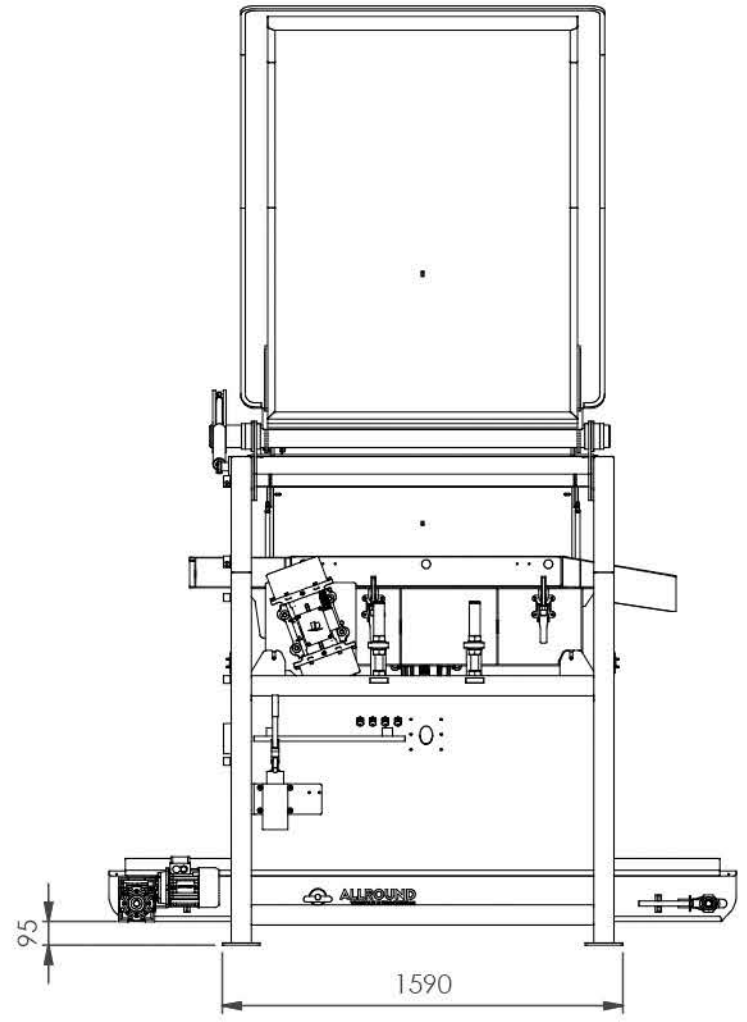
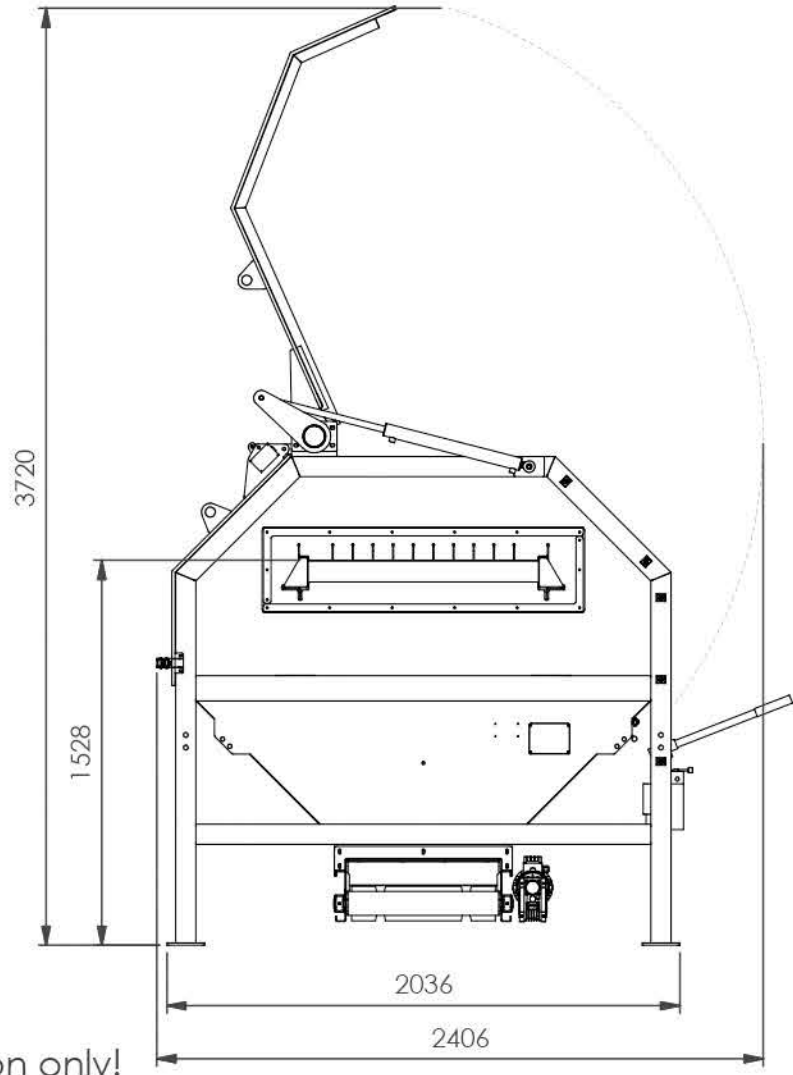
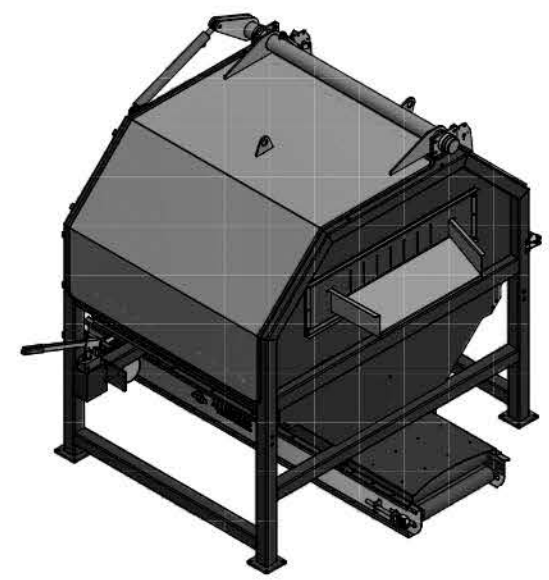
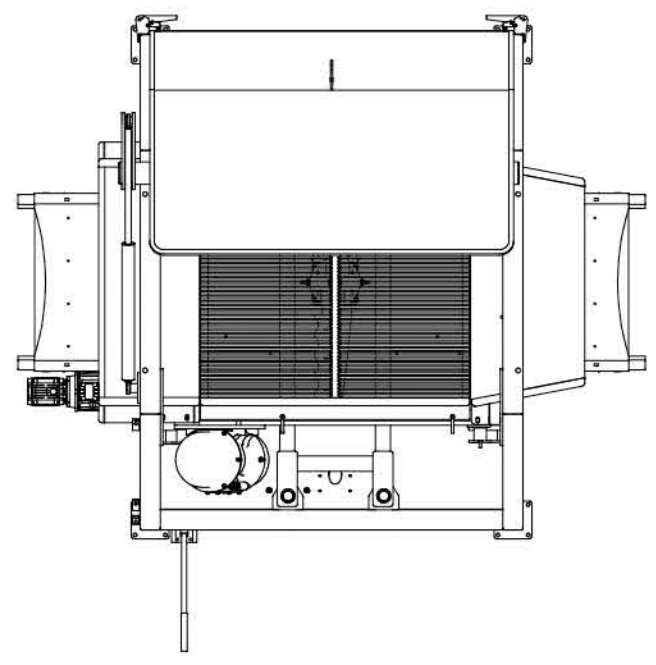
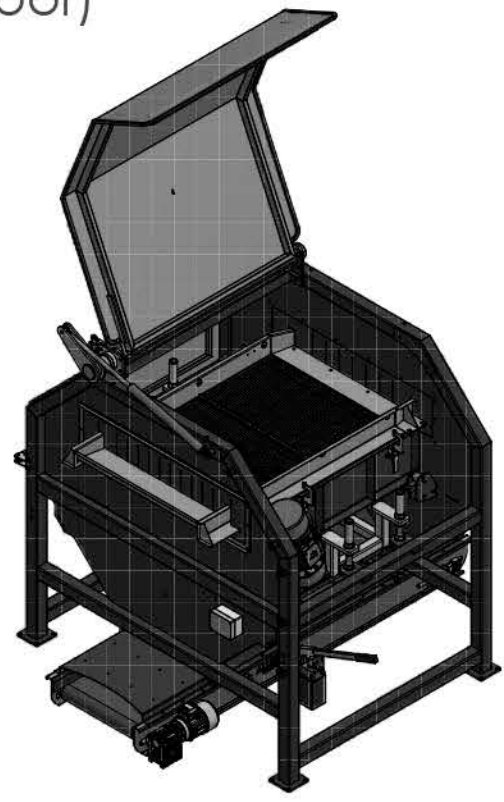


A1 (Big door)



For discussion only!
 The dimensions are approximately.
 We are free to resize and change the machines,
 when we deem it necessary.

Tol principle: ISO 8015	General tolerances: ISO 20768	Fit system: ISO 286	Geometrical tolerancing: ISO 1101
Project: Onion Topper		Revision: 02	
Description: A1		Scale: 1 : 30	
Surface:		Sheet size: A3	
Engineer: SRPL	Date: 28-6-2019	Unit: mm	00038850
www.allroundvp.nl			Sheet: 2 of 8