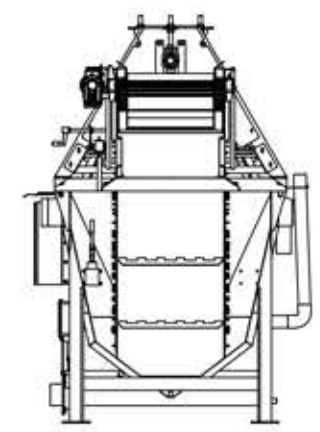
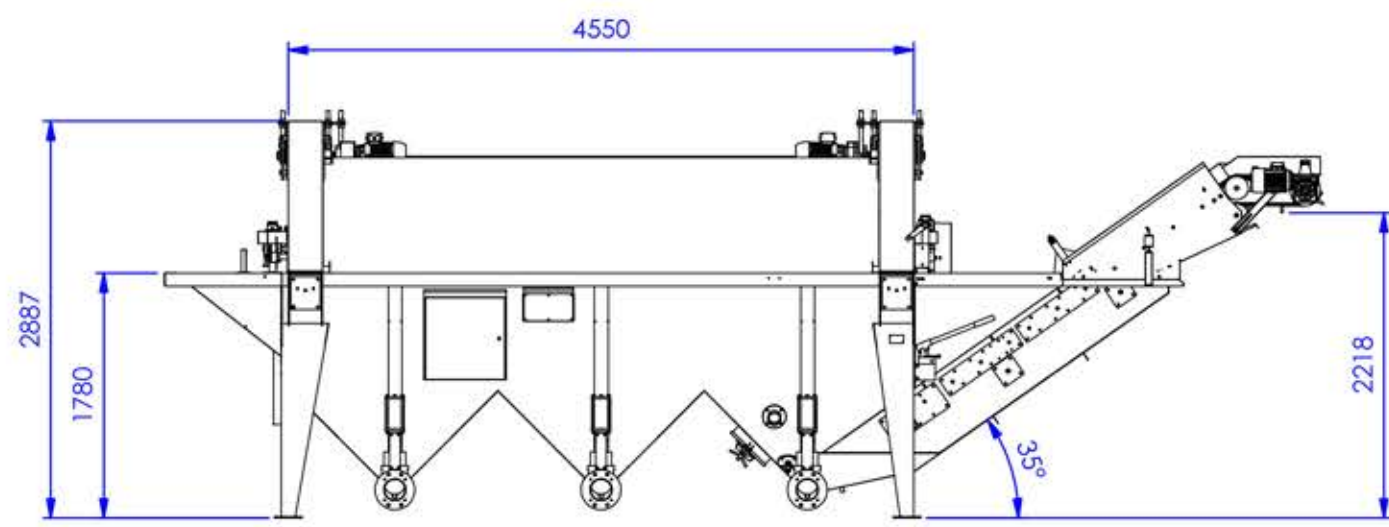
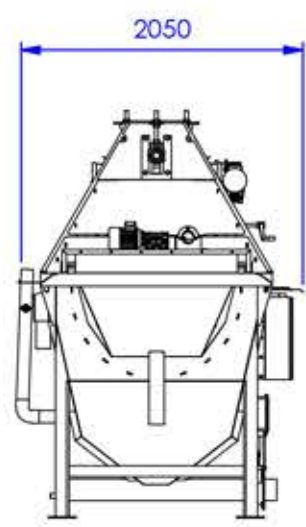
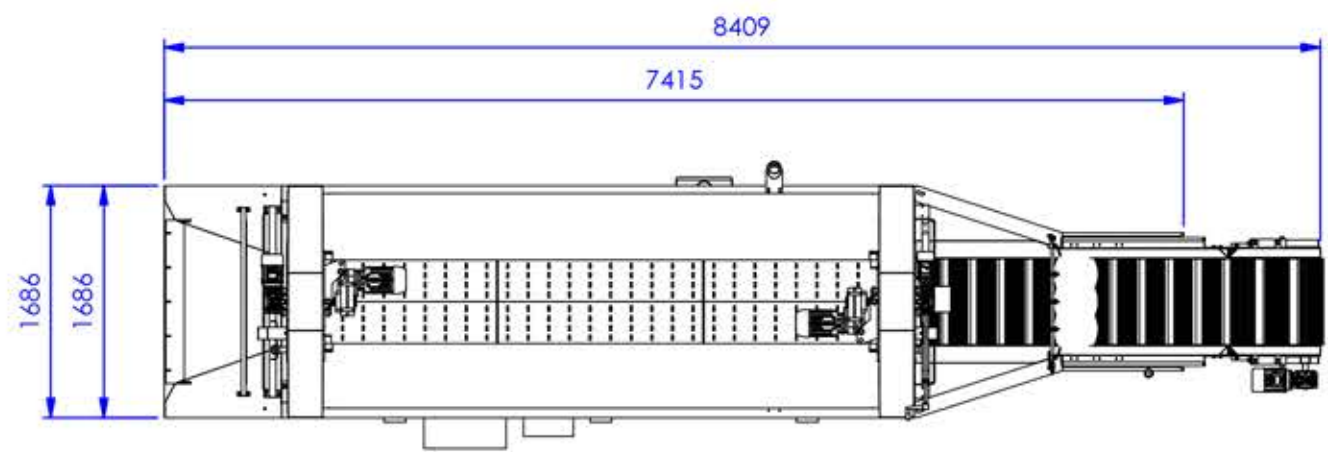
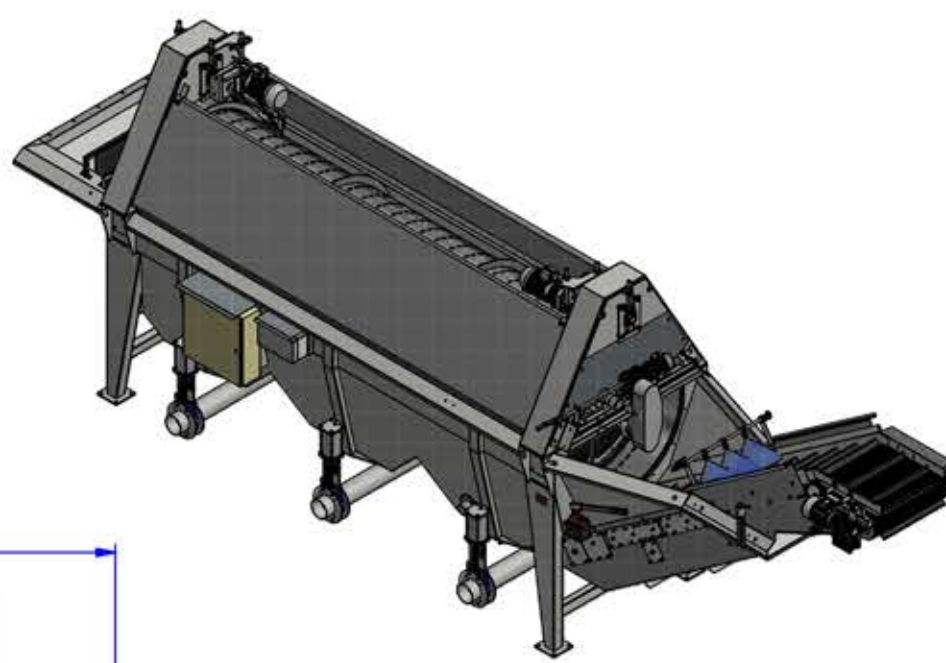
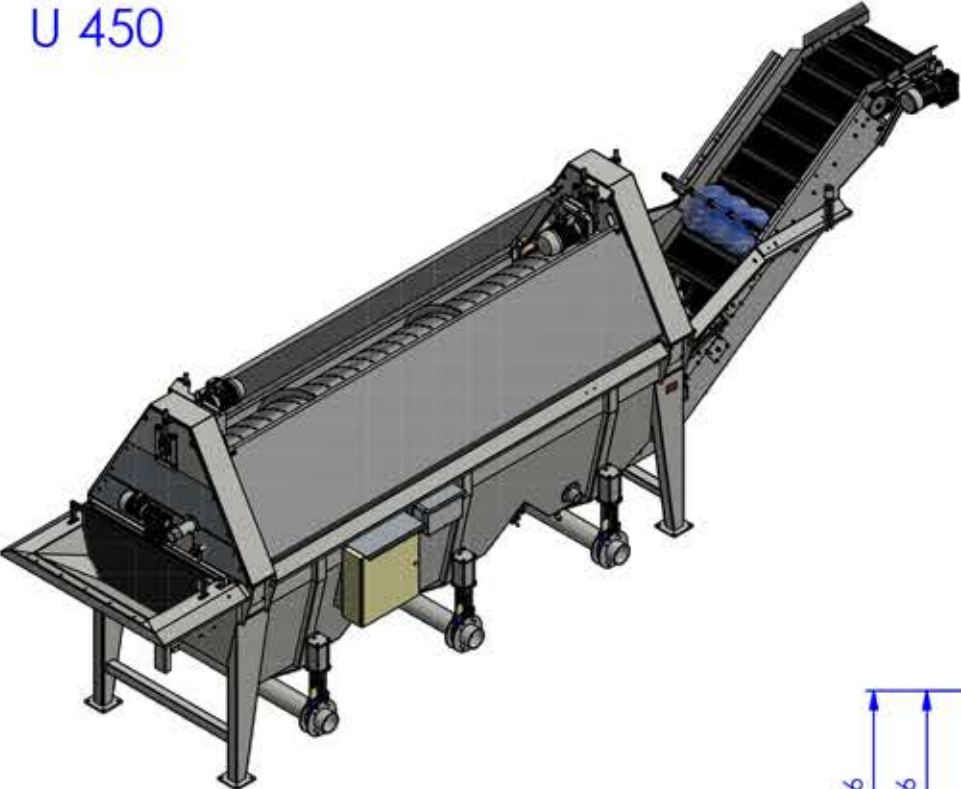


U 450



For discussion only!
 The dimensions are approximately.
 We are free to resize and change the machines,
 when we deem it necessary.

Tol principle: ISO 8015		General tolerances: ISO 20768		Fit system: ISO 286		Geometrical tolerancing: ISO 1101	
		Project: Washing machine - -					
		Description: U 450					
		Surface:		Scale: 1 : 55		00015801	
		Engineer: HWS		Sheet size: A3			
		Date: 18-6-2019		Unit: mm		Revision: 03	
						Sheet: 1 of 3	